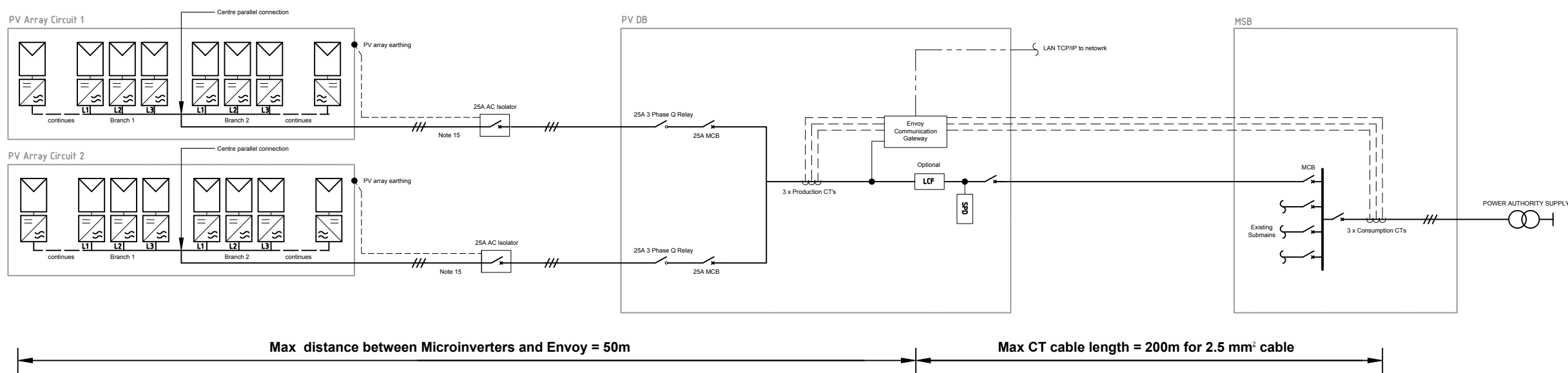


Number of panels shown is indicative.
 Max number of IQ Micros per 25A AC
 branch circuit for 3 phase systems:
 IQ7-60-2-INT = 60
 IQ7+-72-2-INT = 48
 IQ7X-96-2-INT = 45

Note that Q cable uses the
 following wiring colour code:
 Brown = L1
 Black = L2
 Grey = L3
 Blue = N



NOTES:

- IMPORTANT: This is an example drawing, actual system design will be site dependent.
- IMPORTANT: Prior to installing any solar equipment, check the L to N voltage at the point of connection. The voltage for the 230V rated microinverters must be within acceptable range as confirmed by the Power Authority.
- All wiring, earthing, isolation and equipment to be designed and installed in accordance with the latest editions of AS3000, AS 5033, AS4777, the Supply Authority Service and Installation Rules and the Supply Authority Embedded Generator Connection Requirements. Installation Certificate of Safety shall be signed off by a Licensed Electrical Contractor with Clean Energy Council Accreditation.
- AC cabling to be determined using the latest edition of AS3008. Refer also to "Enphase Voltage Rise Calculator"
- Enphase powerline Envoy comms unit, Q Relay and filter arrangements vary dependent on installation conditions. At least one Envoy must be on site and connected to Enlighten.
- Contactors, MCB and MCCB to be sized as per requirements.
- PV Array design and sizing to be carried out by CEC Accredited Installer.
- Rooftop AC Isolators to be 25A min.
- LCF, Line Filter is optional.
- PV Frame/Racking can be earthed to the AC rooftop isolator.
- Actual number of panels per array to be determined by CEC accredited designer.
- Comms between micros, Envoy and Q Relay to be done via AC over powerline communication.
- Q-25-10-3P-200 or Q-25-17-3P-160 or Q-25-20-3P-160 cable is required from microinverters to AC Isolator.
- Pre-built sub boards are available from selected suppliers.

START UP SEQUENCE

- Ensure all PV system MCB's are set to 'ON'.
- Turn 'ON' all lockable AC isolators and Envoy and wait 3 minutes for microinverter system to start up and 5 minutes for the Envoy system to communicate.
- A flashing green LED on each microinverter indicates all is OK. The Envoy display also indicates power generation & communication with the microinverters.

SHUT DOWN SEQUENCE

- Turn 'OFF' all lockable AC isolators.

It is recommended the main AC isolator is locked in the 'OFF' position while working on any part of the system.

This drawing is to show the use of Enphase Energy products.

DWN BY:	CHK BY:	DATE:
RJT	DM	26/11/19
REV:	SHEET:	SCALE:
1	1 of 1	NTS

DRAWING NO.:
 EE-IQ-3PH <15 kVA

DRAWING NAME:
 Example schematic of Enphase IQ Microinverters
 for systems less than 15 kVA